

# BEST BOX

## COLLECTION TANK

Garage, Wash basin, Shower



**BEST BOX G**



**BEST ONE VOX**



**BEST BOX D**



**BEST ONE**

Prefabricated, robust lift stations.

### APPLICATIONS

#### • Best Box G (Garage model)

Lifting rainwater, from wash areas, garage downramps, etc.

#### • Best Box L (Wash basin model)

Lifting domestic and bathroom water (basin, dishwasher, washing machine)

#### • Best Box D (Shower model)

Particularly suited to shower water, does not need to be installed underground with the tank inlet located 90 mm from the base and a check device

### TECHNICAL FEATURES

- Quick, easy installation
- Robust, compact construction
- Available with/without electric pump

### TECHNICAL DATA

#### Tank

- Model G (Garage): High strength PVC grille
- Model L (Wash basin): cover with overflow vent
- Model D (Shower): cover with overflow vent
- Tank capacity: 30 litres
- Tank weight: 7 kg (BEST BOX L and BEST BOX D), 10 kg (BEST BOX G)

#### Electric pump (selected models)

- BEST BOX G can be equipped with the BEST ONE VOX (vortex impeller) electric pump, with float switch for automatic operation
- BEST BOX L and BEST BOX D can be equipped with the BEST ONE pump with float switch for automatic operation. BEST BOX L is configured to receive water from above, while BEST BOX D receives water from below
- 5 metre cable + standardised plug
- 2800 rpm
- Single phase voltage: 230V +/- 10%
- Insulation class F
- Protection rating IP68
- Maximum fluid temperature: 50°C
- Maximum solid passage: 10 mm BEST ONE  
20 mm BEST ONE VOX

### MATERIALS

#### Tank

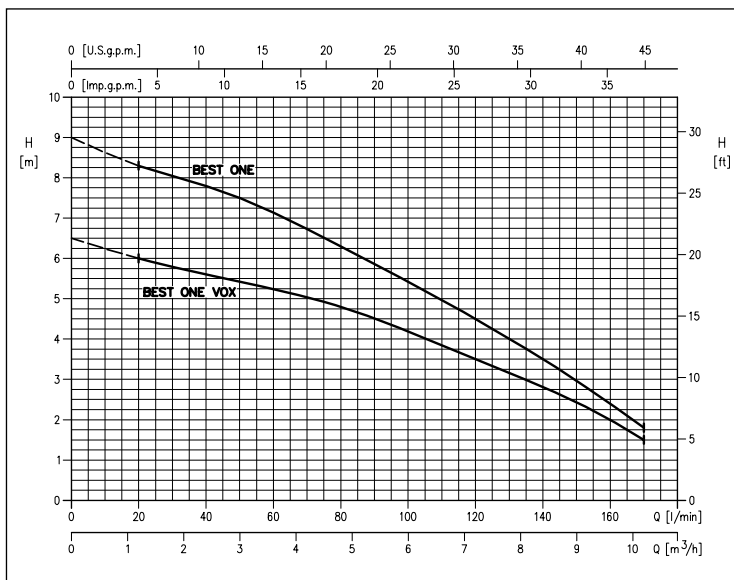
- High density polyethylene

#### Electric pump (selected models)

- AISI 304 stainless steel construction throughout
- Mechanical seal as standard supply

For the technical data of the BEST ONE/ BEST ONE VOX pumps (see page 5)

### PERFORMANCE CURVES (per ISO 9906 Annex A)

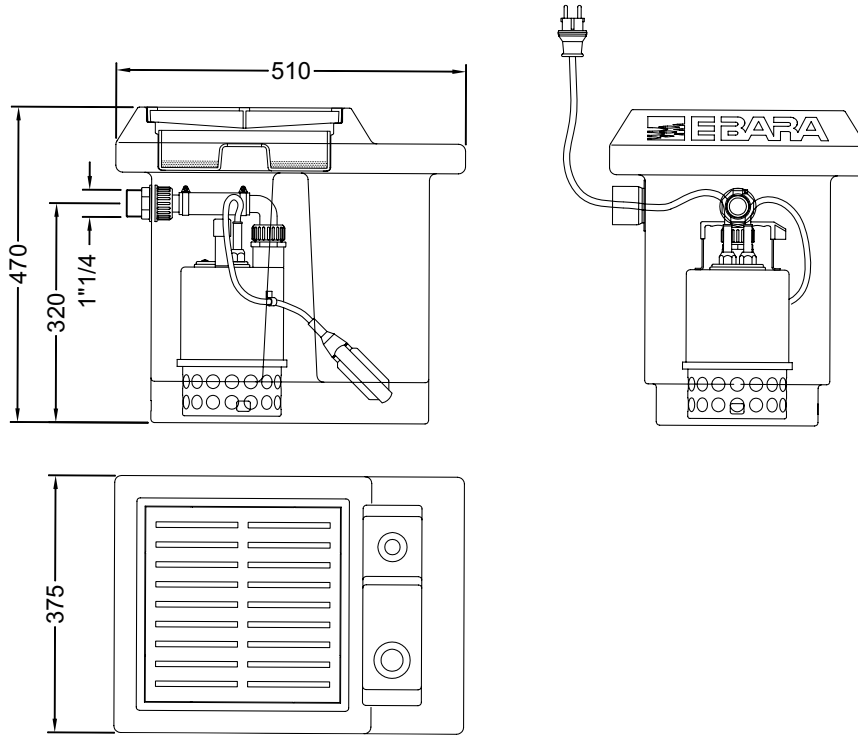


# BEST BOX

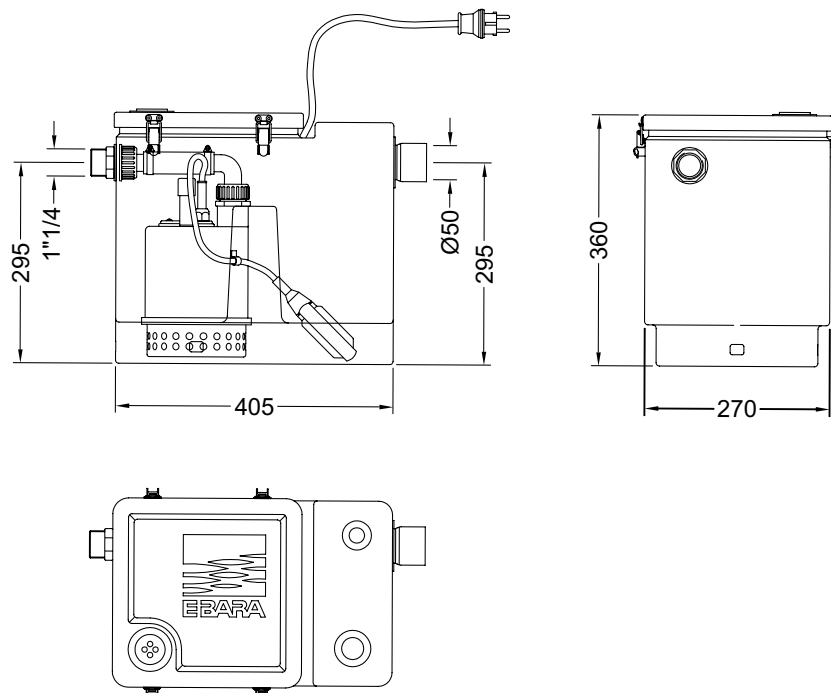
## COLLECTION TANK

Garage, Wash basin, Shower

### DIMENSIONS BEST BOX G



### DIMENSIONS BEST BOX L



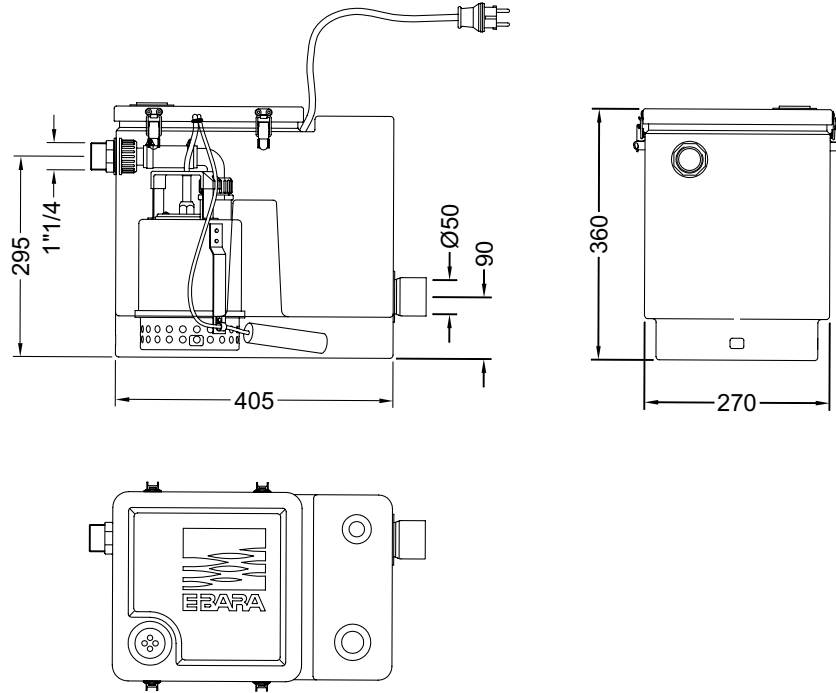
The contents of this publication should not be regarded as binding. EBARA Pumps Europe S.p.A. reserves the right to effect any modification it deems necessary, without prior notice.

# BEST BOX

## COLLECTION TANK

Garage, Wash basin, Shower

### DIMENSIONS BEST BOX D

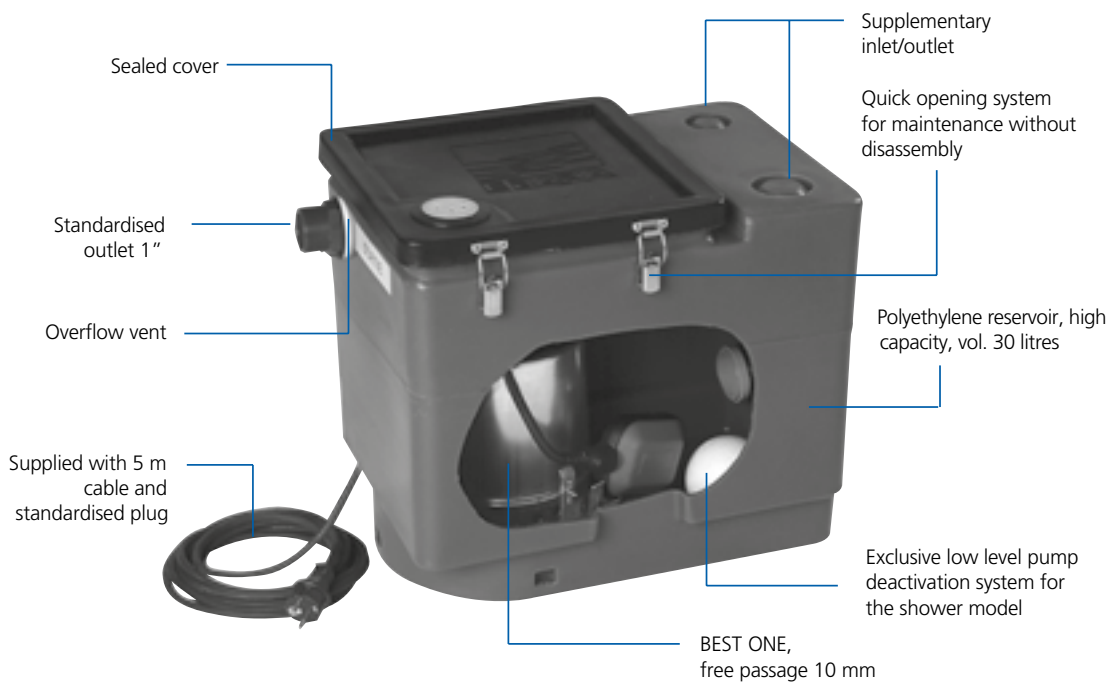


# BEST BOX

## COLLECTION TANK

Garage, Wash basin, Shower

### TECHNICAL SPECIFICATIONS



The contents of this publication should not be regarded as binding. EBARA Pumps Europe S.p.A. reserves the right to effect any modification it deems necessary, without prior notice.